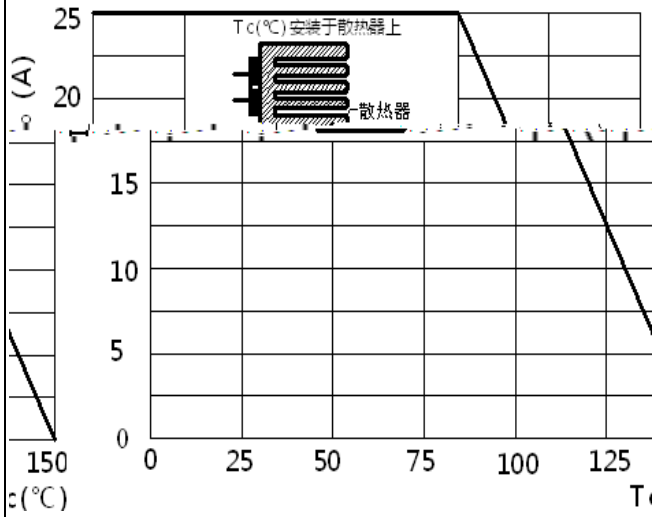




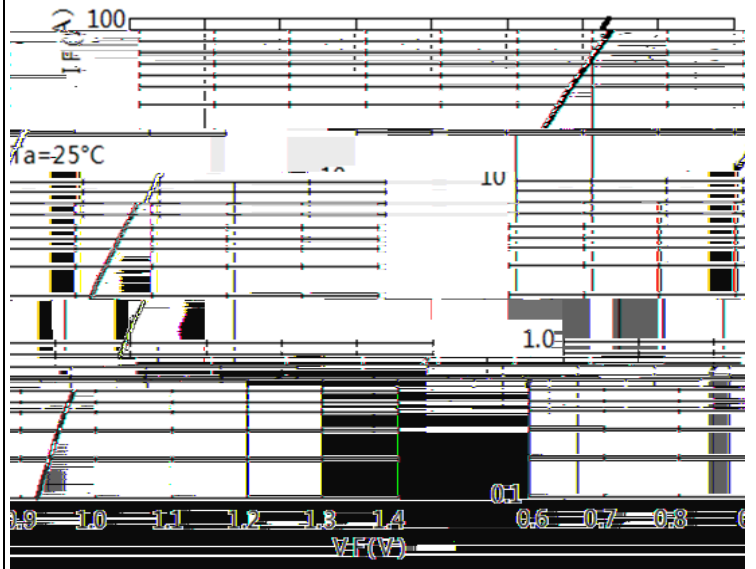
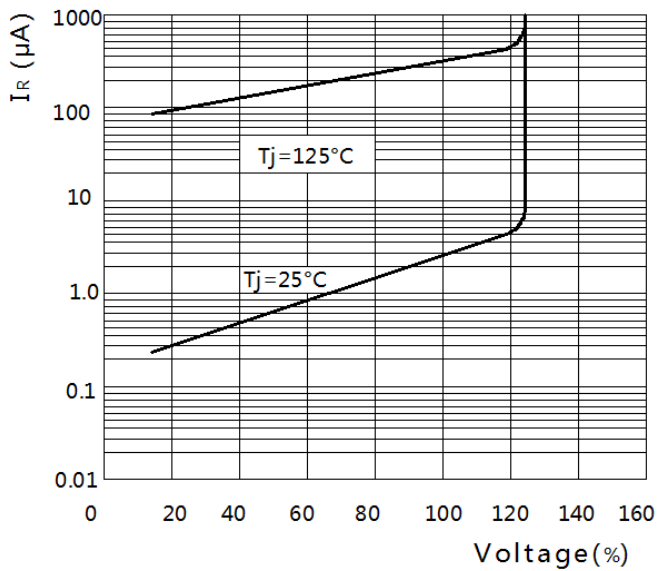
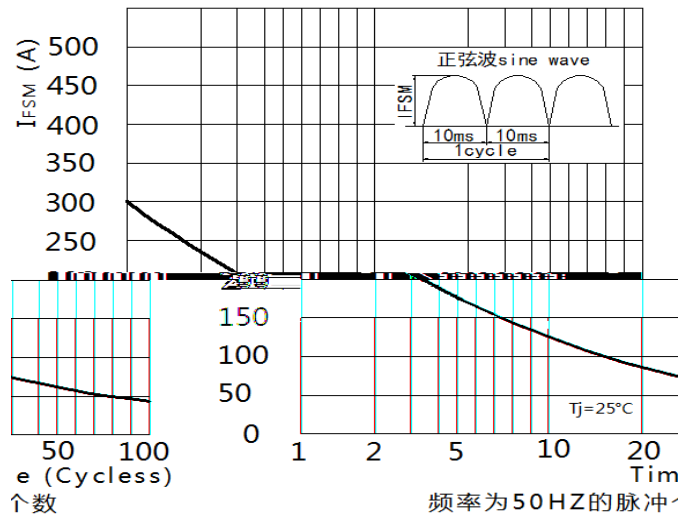


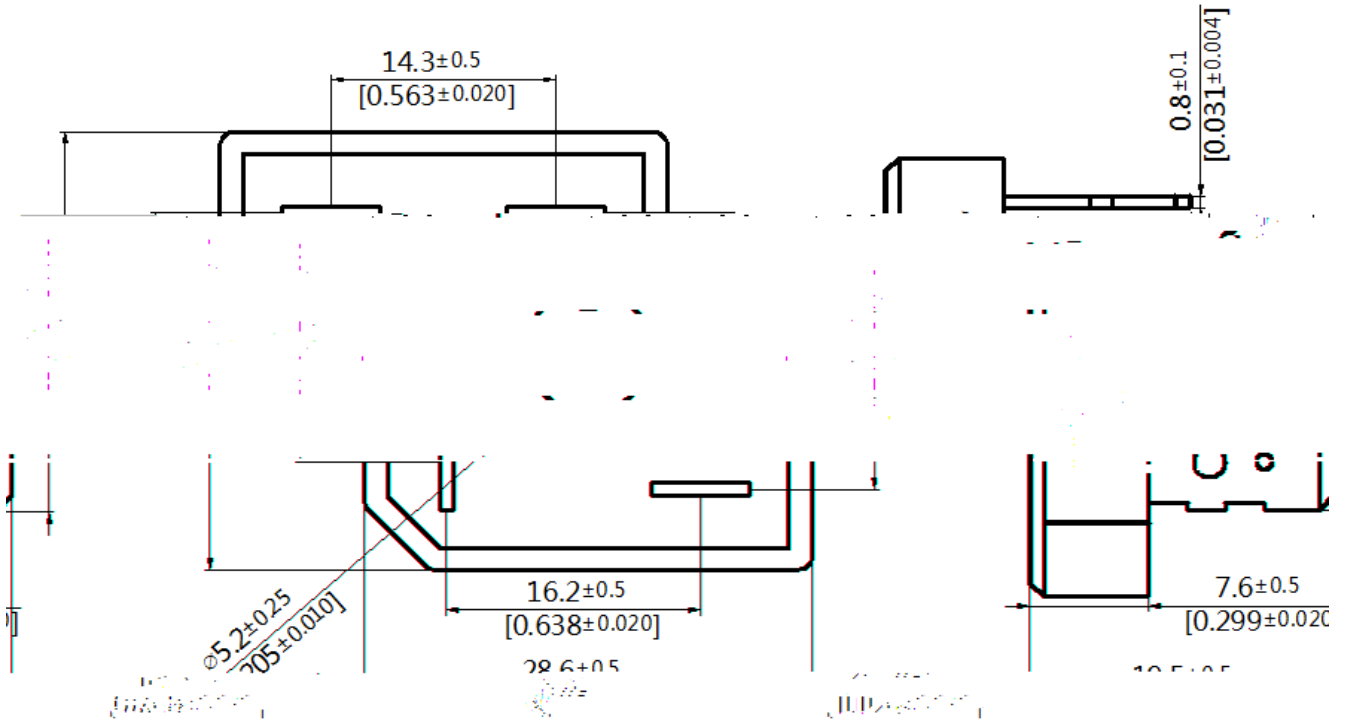


Derating Curve For Output Rectified Current



Maximum Non-Repetitive Peak Orward Surge Current Per Bridge Element



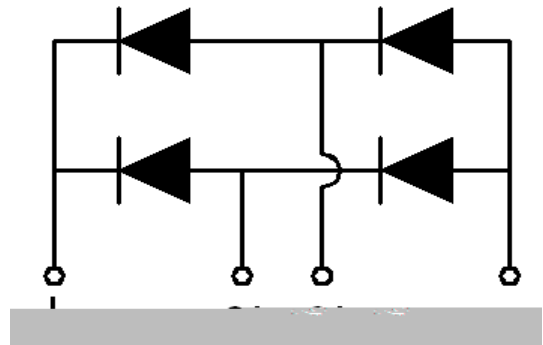


Dimensions in inches (mm)



+ 为正极标记

** 为反向峰值电压 VRRM，核算公式=数值*10



-
-
-
-
-

-
-
-
-
-

-
-

-
-
-

-

-

-

-