

DATA SHEET

Customer Signature

Maximum Ratings					
Noun interpretation	Conditions		Symbol	DB157S	Unit
Maximum Recurrent Peak Reverse Voltage			V_{RRM}	1000	V
Maximum RMS Voltage			V_{RMS}	1100	V
Maximum DC Blocking Voltage			V_{DC}	1000	V
Average Rectified Output Current	50Hz 50Hz sine wave load	$T_a=40$	I_o	1.5	A
Peak Surge Forward Current	50HZ $T_j=25$ 50HZ sine wave, 1 cycle, $T_j=25$		I_{FSM}	60	A
Rating for fusing	1ms<t<8.3ms, $T_j=25$ 1ms<t<8.3ms, $T_j=25$ Rating of per diode		I^2t	15	A ² s
Junction emperature			T_J	-55 +150	
Storage Temperature			T_{STG}	-55 +150	
Electrical Characteristics $T_a=25$ Unless otherwise specified					
Peak Forward Voltage	$I_F=0.7A$ $I_F=0.7A$, Pulse measurement, Rate of per diode		V_F	1.0	V
Peak Reverse Current	$V_R=V_{RRM}$, $V_R=V_{RRM}$, Pulse measurement Rating of per diode	$T_j=25$	I_{RRM}	5	A
		$T_j=125$		100	
Thermal resistance	Junction to ambient without heatsink		R_{J-A}	68	
	Between junction and lead		R_{J-L}	15	

FIG.1 . Derating Curve For Output Rectified Current

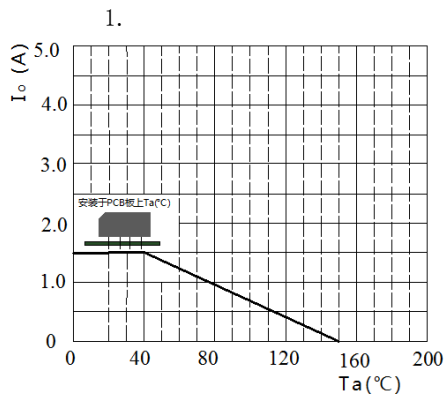


FIG.2 . Maximum Non-Repetitive Peak Forward Surge Current Per Bridge Element

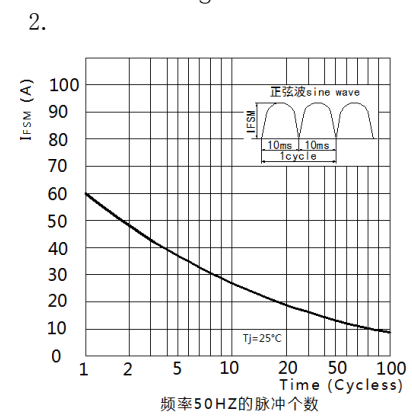


FIG3. Typical Reverse Characteristics Per Bridge Element

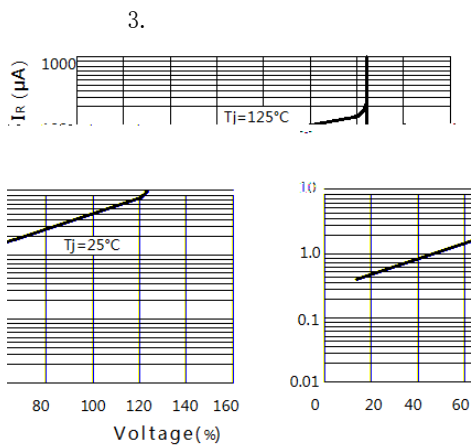
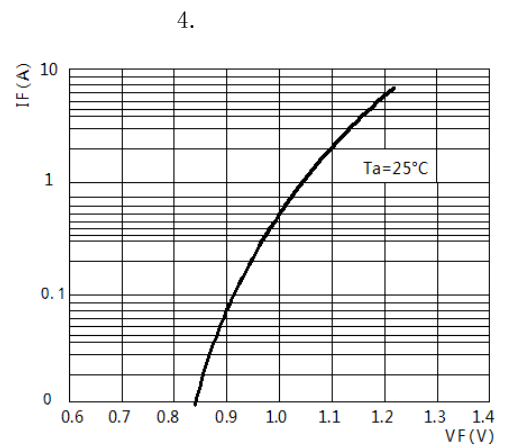
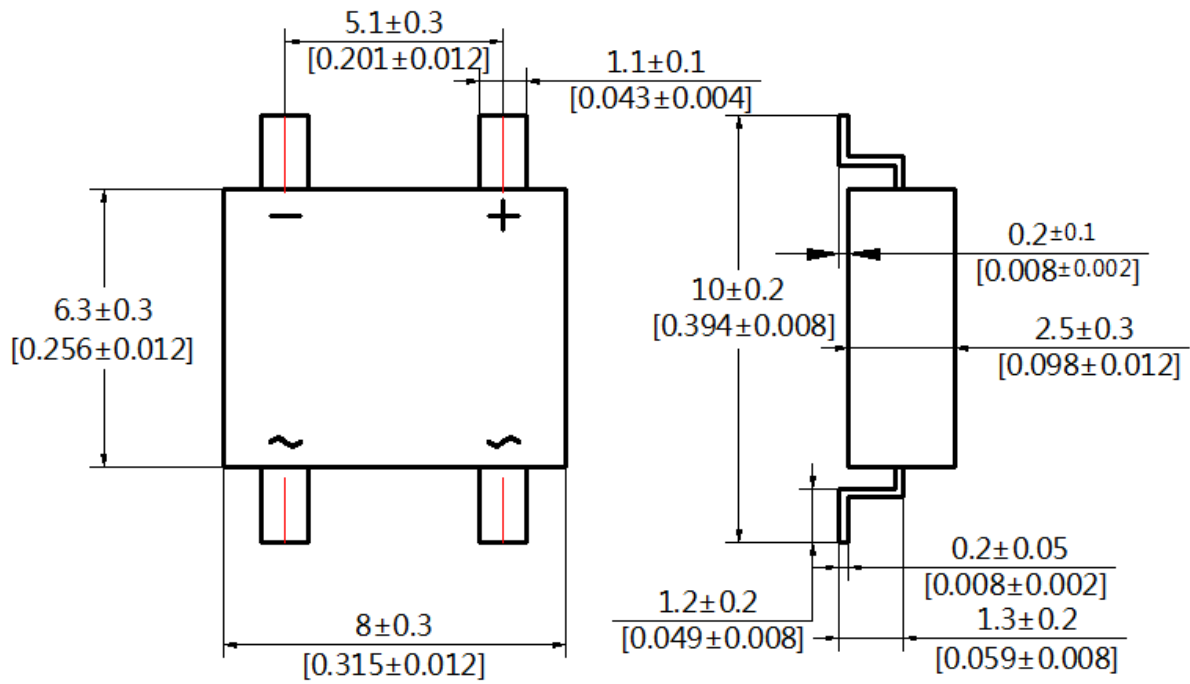


FIG4. Typical Forward Characteristics Per Bridge Element



Dimensioned drawing



Outside view

